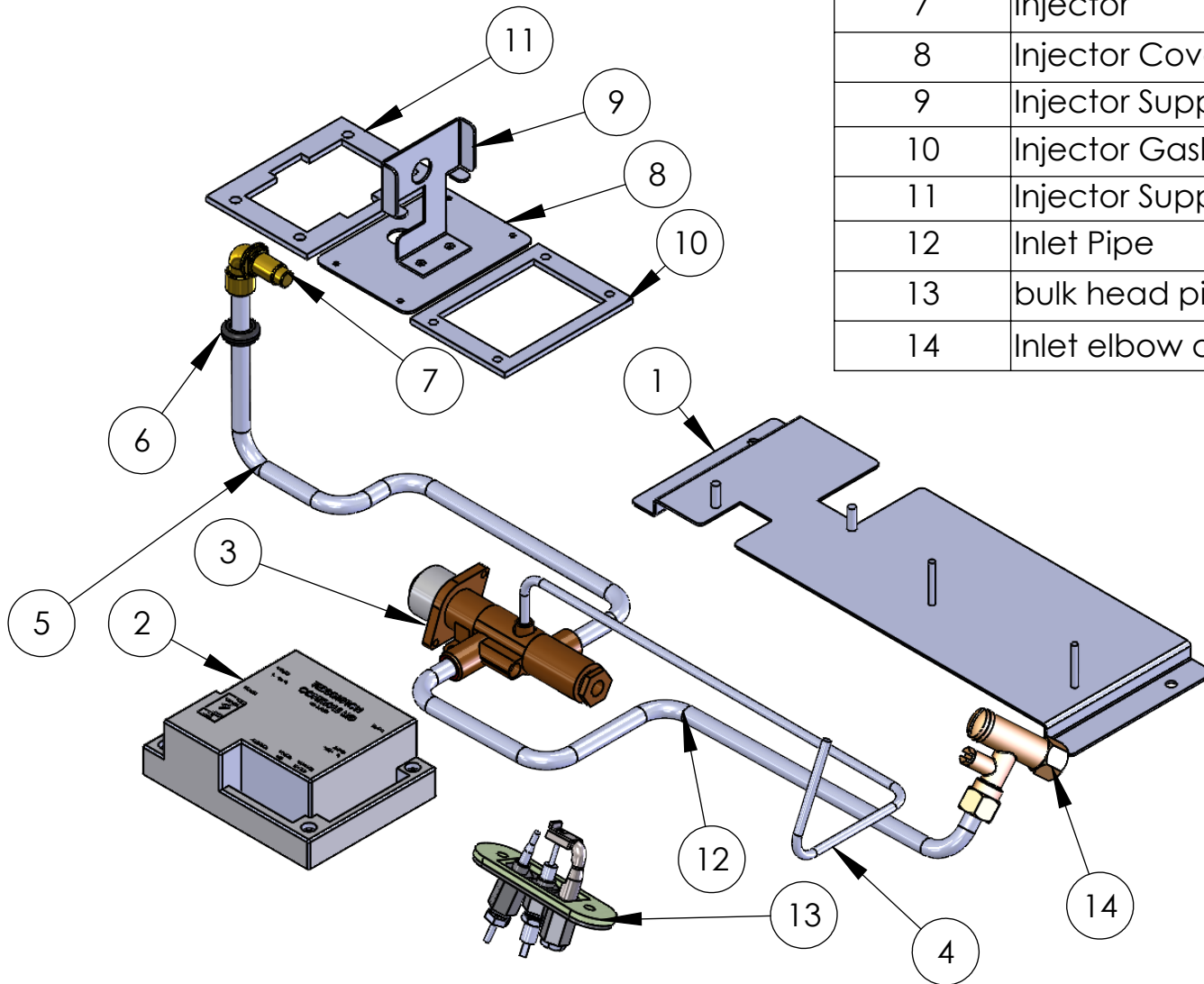


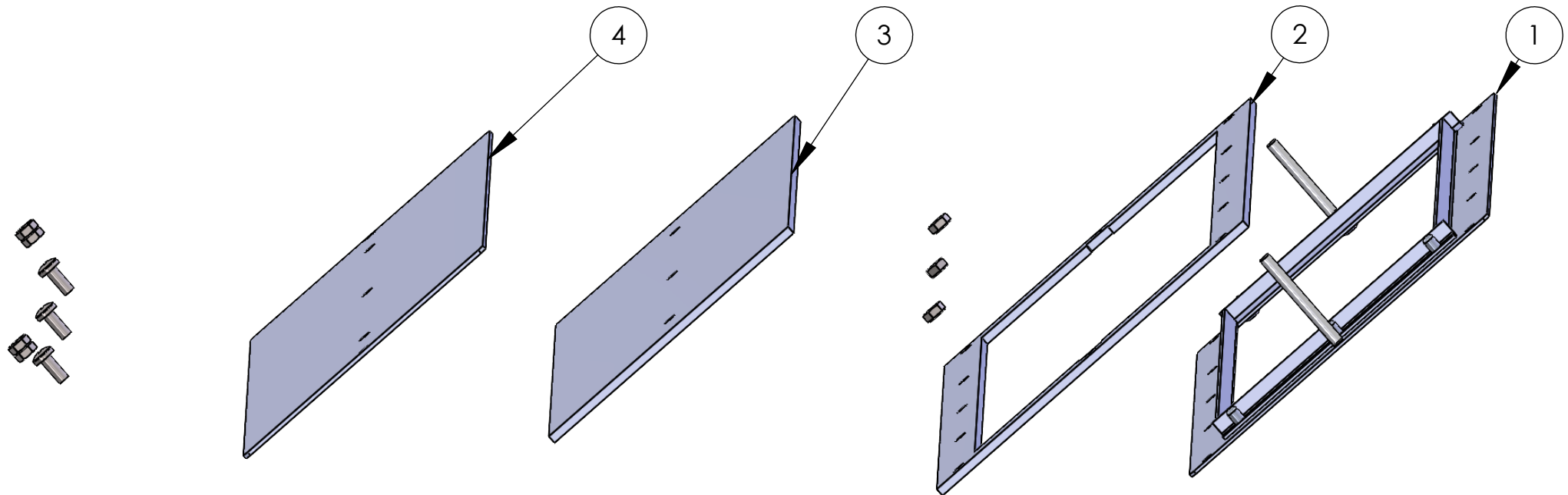
P5 BF Tray pipe work Assembly

ITEM NO.	Description	Part number	QTY.
1	Control Support	8300	1
2	EDB	6592	1
3	Remote Valve	6590	1
4	Pilot Pipe	8327	1
5	Injector Pipe	8328	1
6	rubber grommet	8mm: 4554	1
7	Injector	2108	1
8	Injector Cover	8302	1
9	Injector Support	8302	1
10	Injector Gasket	8388	1
11	Injector Support Gasket	8390	1
12	Inlet Pipe	8326	1
13	bulk head pilot	Check bulk head sheet	1
14	Inlet elbow and PTP	2189	1

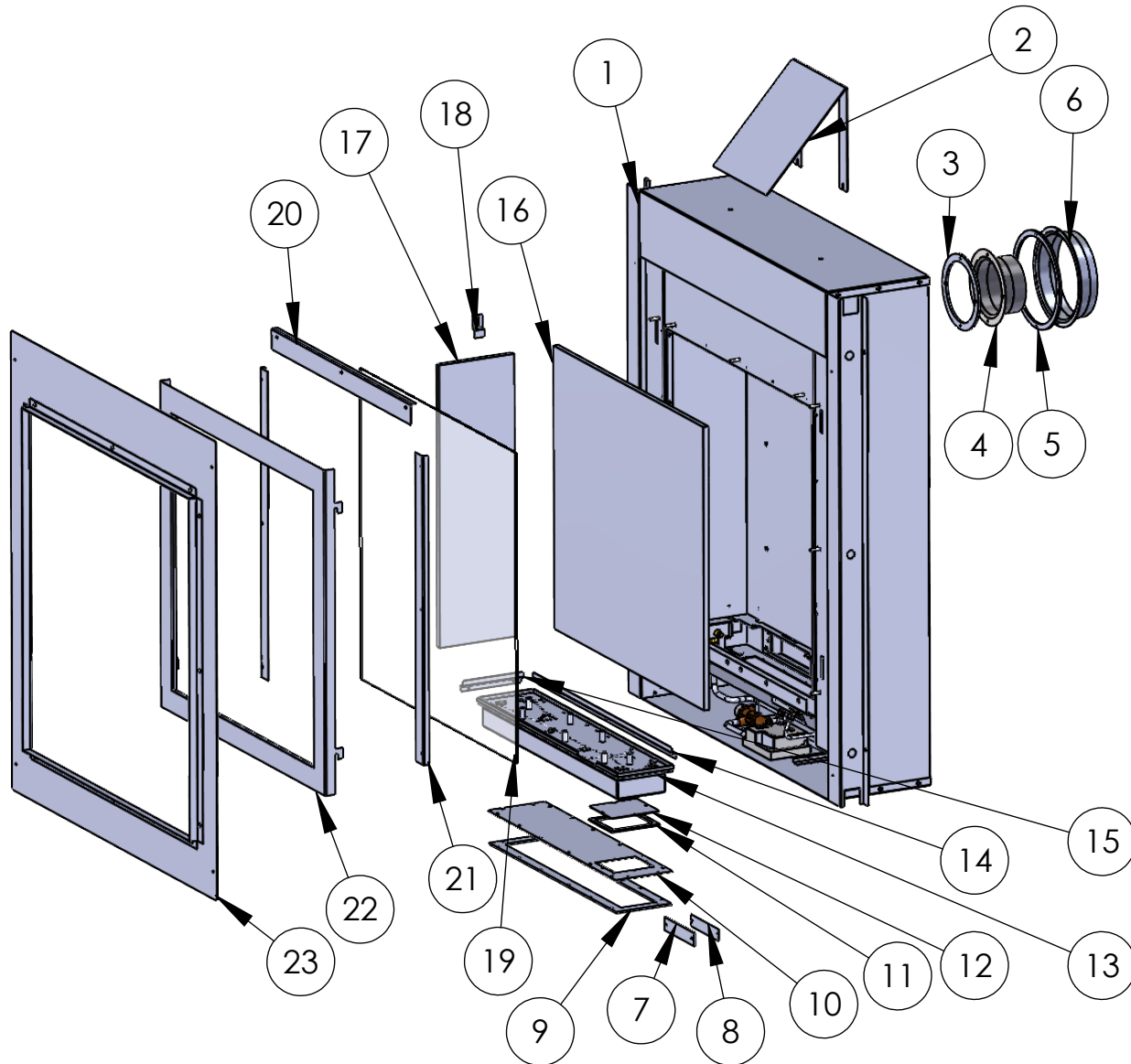


P5 BF Relief Flap Assembly

ITEM NO.	Description	Part Number	QTY.
1	Relief Plate	8311	1
2	P5 BF Relief Flap Gasket Mrk 3	8321	1
3	Relief Flap Gasket	8322	1
4	Relief Flap	8312	1
5	BS EN ISO 7045 - M4 x 10 - Z - 10N		3
6	BS EN 24032 - M4 - W - N		7
7	M4x40 stud		2



P5 BF Main Assembly



ITEM NO.	Description	Part Number	QTY.
1	Fire box Assy	8298	1
2	Outlet Baffle	8315	1
3	spigot gasket	2111	1
4	Flue Spigot	2169	1
5	outer spigot gasket	4176	1
6	outer spigot	3887	1
7	Pilot Cover Gaskit	8387	1
8	Pilot Cover	8297	1
9	Service Cover Gaskit	8389	1
10	Service Cover plate	8305	1
11	Gas Cover Gasket	8388	1
12	Gas Cover	8304	1
13	P5 BF Burner Assy	8299	1
14	Rear Panel Support	8310	1
15	Side Panel Support	8309	2
16	Rear Liner	ribbed : 8323 / Glass : 8318	1
17	Side Liner	Ribbed : 8324 / Glass : 8319	2
18	Side Liner Bracket	8306	2
19	P5 BF Glass Panel	8317	1
20	Top Glass Bracket	8308	1
21	Side Glass Bracket	8307	2
22	Fascia Assy	8314	1
23	Fireplace Frame Assy	8301	1